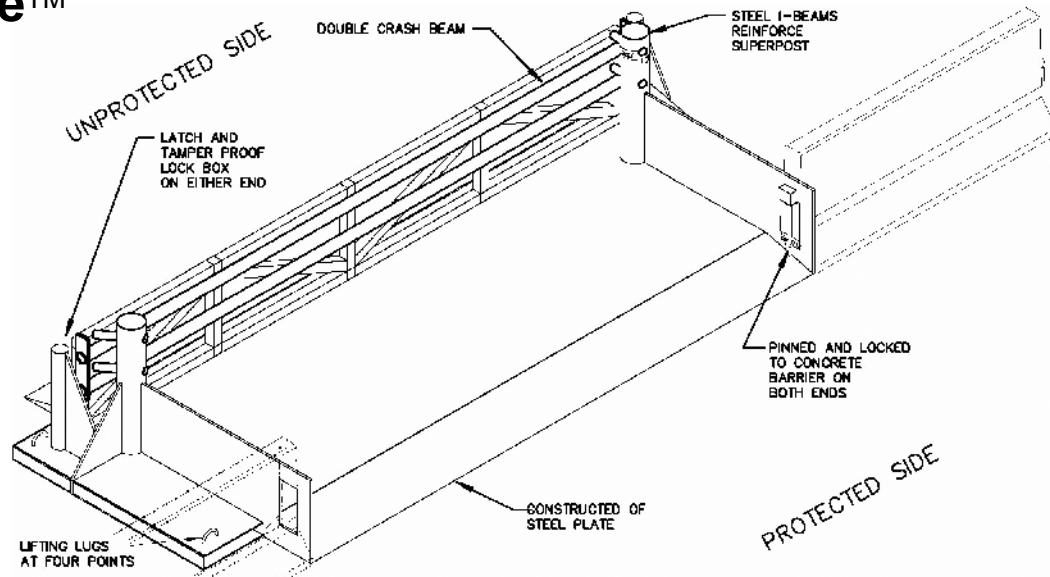


Transportable SecurGate™



In this sketch the Transportable SecurGate™ becomes an integral part of a standard concrete barrier wall. The interlocking strength of the barriers to the gate prevents vehicular intrusion while allowing for controlled vehicular ingress and egress. The gate will be manufactured to your required dimensions.

Description

The Transportable SecurGate™ provides full protection from vehicular intrusion in locations where conditions prevent or make it impractical to erect permanent crash rated gates or barriers. The gate is constructed to be off loaded fully operational and provides the utmost in flexibility for securing temporary or surface-restricted locations. It is an excellent add-on to an existing intrusion system such as concrete roadway barriers or the Net Fence™.

This system uses the same anti-vehicular intrusion device as the "Double Crash Beam" Attachable SecurGate™ which is a double crash beam with reinforced bollard-type superposts.

The gate is secured to a steel base constructed of plates and cross members. The gate posts and bollards are secured to the base plates, reinforced with steel, and supported with steel braces.

This gate system is provided to meet the customer's height and width requirements as well as the desired anti-vehicular capability. A variety of gate types and styles are available. Chain link fence may be added to prevent pedestrian intrusion.

Applications

This gate is designed for locations where penetration or excavation of the ground is impractical or prohibited. Its surface-mounted transportable design also makes it ideal for temporary use, or where the ingress and egress control point requires relocating. Manufactured to swing or slide with or without an operator.

Installation

The gate is delivered fully intact and is off loaded and set in place by a crane. Once in place, the ramps are installed to align with the existing surface.

Product Documentation

- Detailed installation drawings and instructions specific to each customer product
- Crash certification, warranty, and technical specification
- O&M manual
- Spare parts list
- Most parts are off-the-shelf

Ongoing Product Support

- Timely response to customer inquiries
- On-site installation oversight
- On-site maintenance and troubleshooting assistance
- Highly qualified support personnel who hold government security clearances
- Training of customer security and maintenance personnel

Consider The Advantages

- Surface mounted
- Delivered and immediately ready for use
- Custom designed for your location
- May be stored fully intact for use in other locations
- Maintenance free
- Tamper-proof lock
- Powder coated or painted in over 300 of colors
- Fully operational and effective without being manned
- Crash rating certification provided